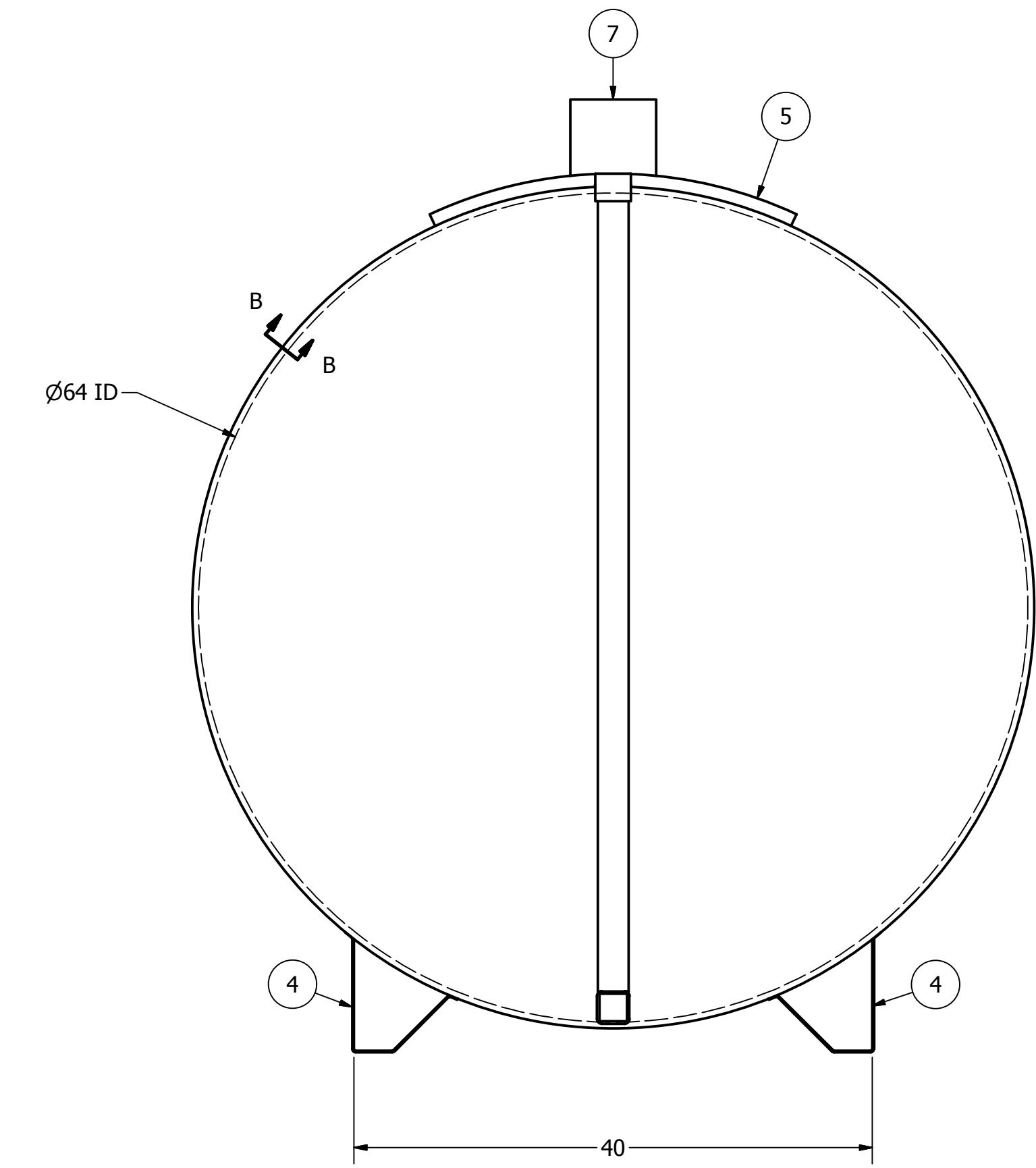
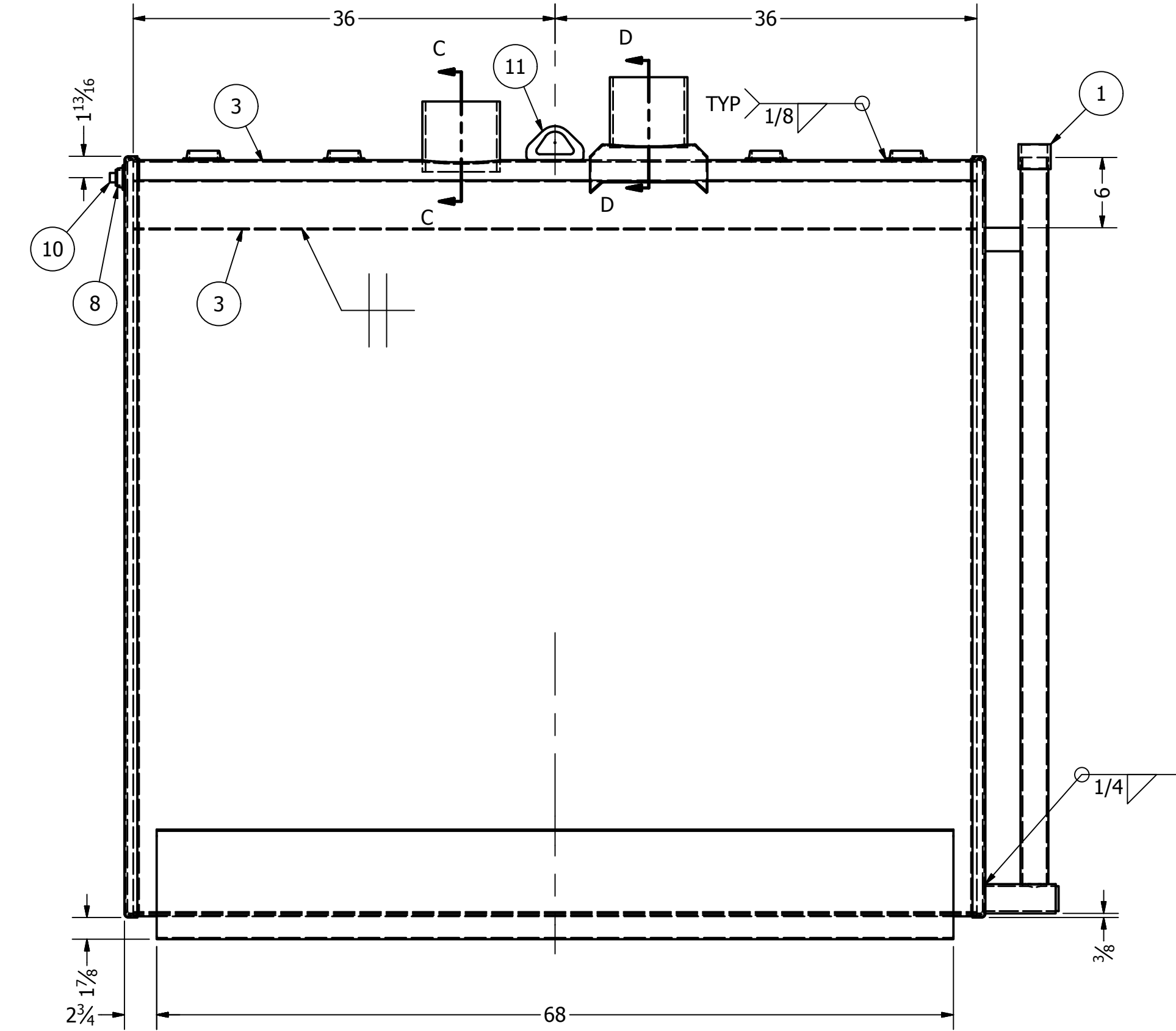
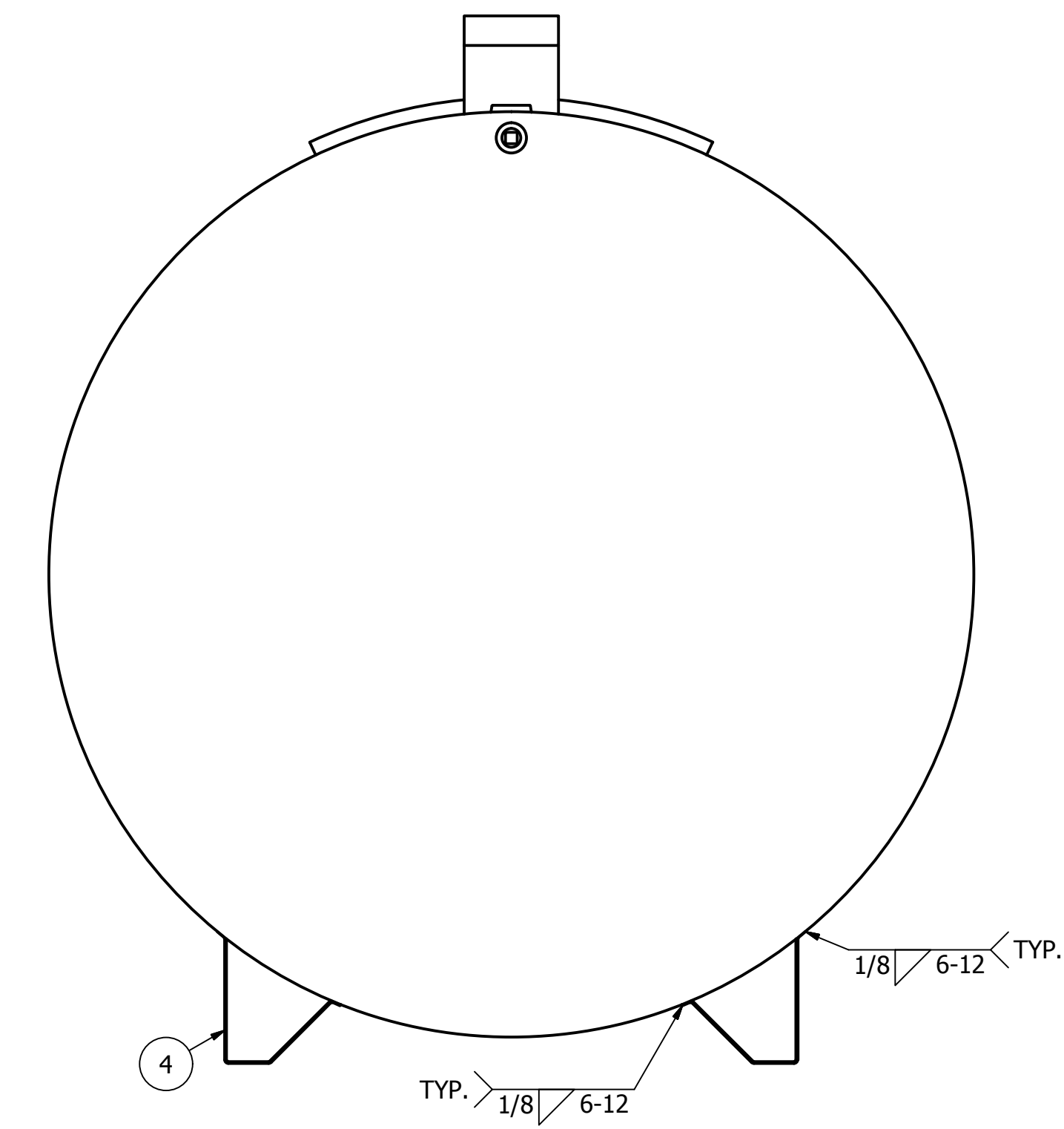
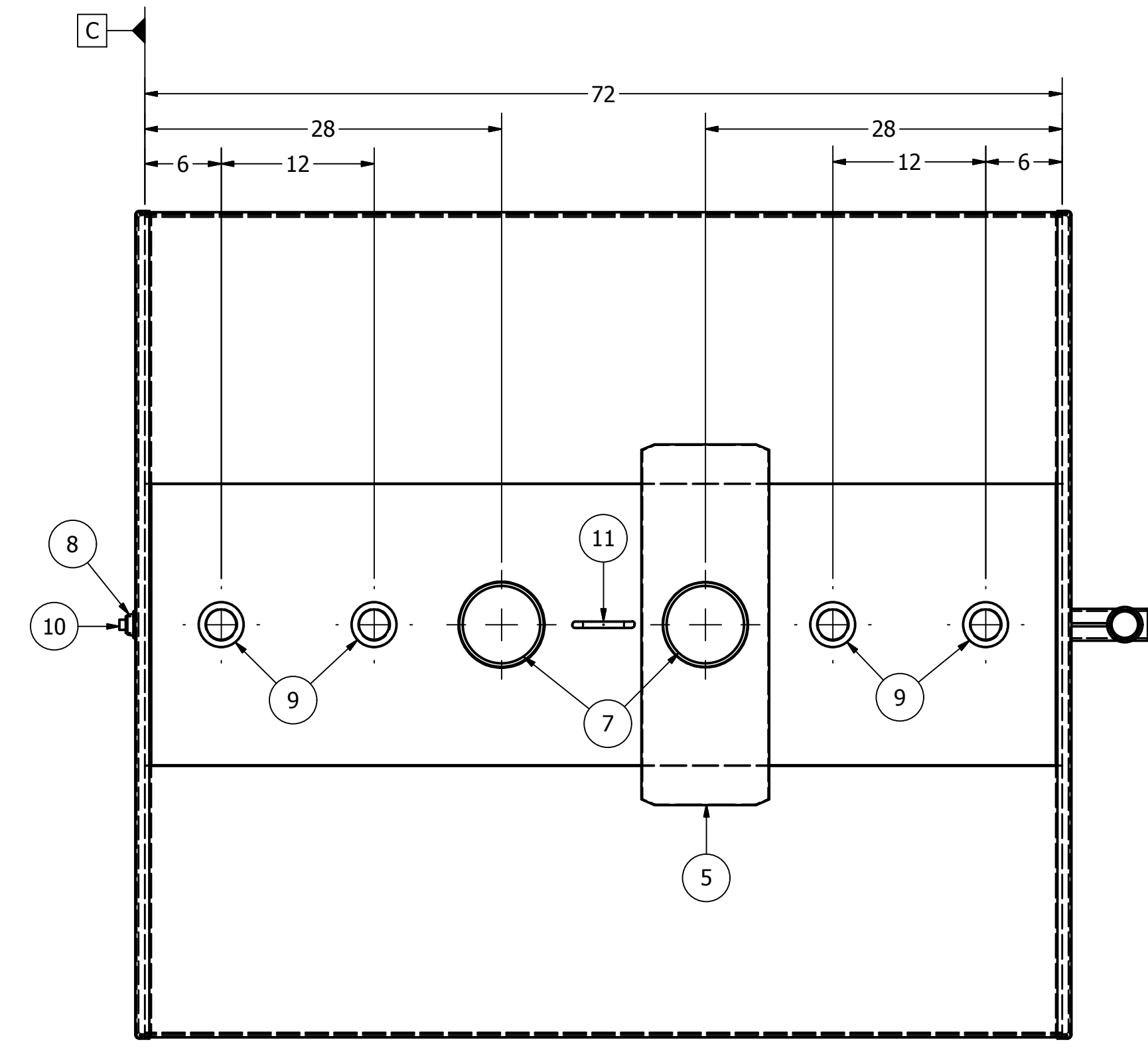
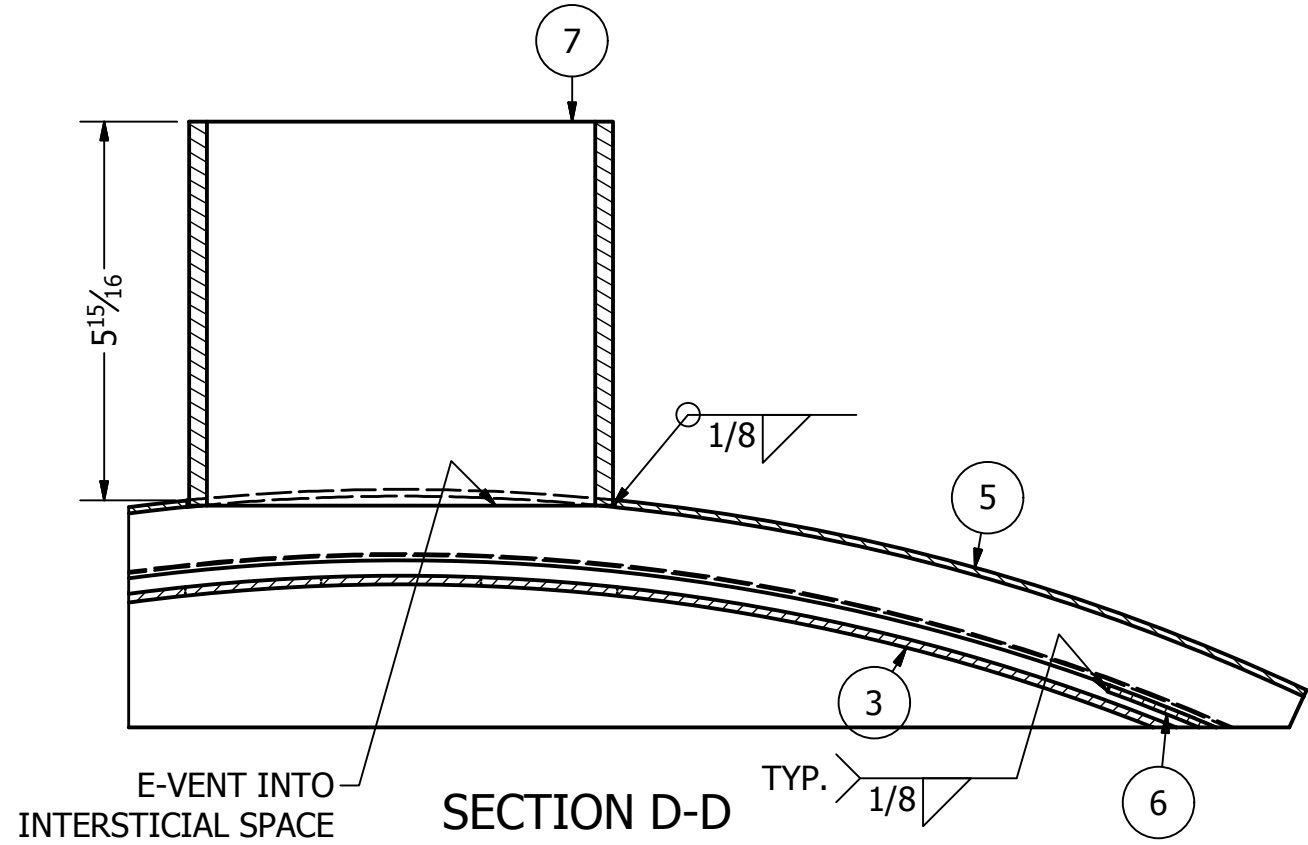
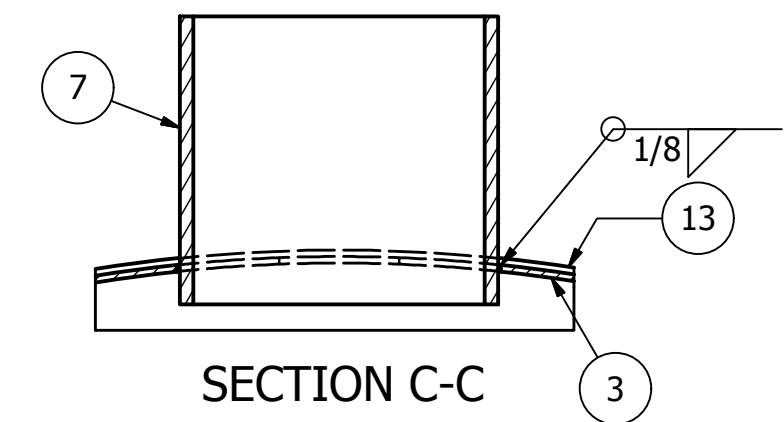
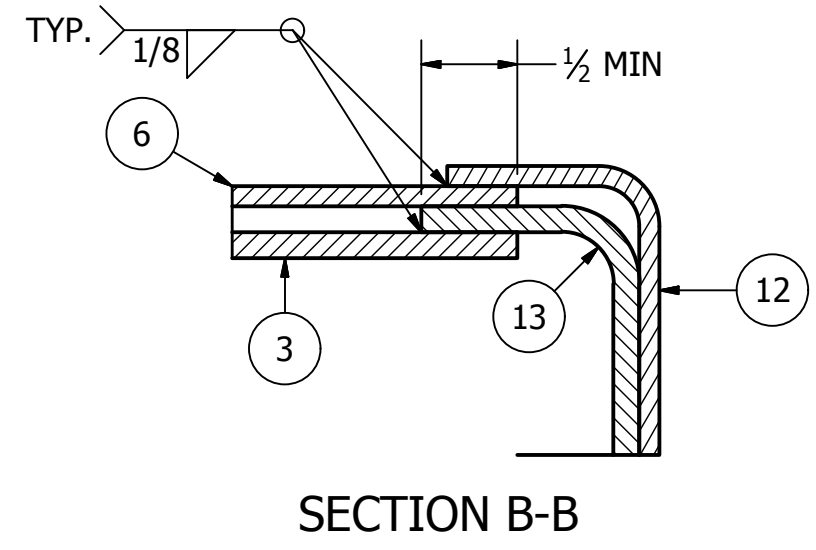


QC	LAYOUT	DIM. INSP.	WELDER	WELD INSP.	COATING	COAT. INSP.	COMP. DATE	HEAT #:
----	--------	------------	--------	------------	---------	-------------	------------	---------

PARTS LIST					
ITEM	SL ITEM#	QTY	DESCRIPTION	MASS	NOTES
1	2000-0001	1	Monitor Pipe Assy,64 Tank	23.476 lbmass	
2	2000-0339	1	F-921 Label Set	0.685 lbmass	
3	3000-0012	1	Shell,.135,64id,72,360d	555.412 lbmass	
4	3000-0014	2	Skid,SSP64,.135,68,40sp,STI	50.012 lbmass	
5	3000-0037	1	E-Vent Plate,.105,10x28.313,64 Tank	9.323 lbmass	
6	3000-0437	1	Shell,Wrap,.105,64.541id,72,320d	387.048 lbmass	
7	TB001382	2	Pipe,6,Sch40,6,TOE	9.497 lbmass	
8	TB002015	1	Weld Flange,Threaded,1, BLK	0.190 lbmass	
9	TB002022	4	Weld Flange,Threaded,2,BLK	0.534 lbmass	
10	TB002170	1	Pipe Plug,1,Square Head,BLK	0.378 lbmass	
11	TB000905	1	Lift Lug,Small,6800#	0.806 lbmass	
12	TC000116	2	PL,12ga,66dia,64.21id,FlangedHead	104.073 lbmass	
13	TC000822	2	PL,10ga,66dia,64.27id,FlangedHead	131.875 lbmass	



- NOTES:
- FINISH:
EXTERIOR: PRIME GREY, WHITE PAINT W/FAST DRYING ENAMEL
INTERIOR: NO COATING
 - REQUIRED VENTING CAPACITY - 105,556.75(ft³/hr)
 - BUILD & TESTING
THIS TANK SHALL BE BUILT & TESTED IN ACCORDANCE WITH STI-F921 STANDARD FOR ABOVE GROUND TANKS
 - REFERENCE LABEL SET DRAWING FOR POSITIONING OF LABELS

DATE	REV	DESCRIPTION	ECN NO.	BY
3/29/2017	4	ADDED NOTES TO PDF	E2017-0096	DSC
6/2/2015	3	UPDATE SKID PROFILE	E2015-0068	TWS
2/4/2015	2	CHANGED SHELL/HEAD JOINT		DCLAUDE
1/4/2015	1	ADD 1" WF AND PLUG		Tstoll
12/30/2014	0	RELEASE		Tstoll

	4401 West Main Fargo, ND 58103 Phone: 701-282-2345 Fax: 701-282-5516 TrueNorthSteel.com		
	UNLESS OTHERWISE SPECIFIED: UNITS = INCHES TOLERANCE: LINEAR ±1/8" ANGULAR ±1/2"	DRAWN: Tstoll CHECKED: DATE DATE: 10/16/2014	

THIS DRAWING IS THE SOLE PROPERTY OF TRUENORTH STEEL INC. ANY COPIES/EDITS MADE WITHOUT THE WRITTEN CONSENT OF TRUENORTH STEEL, IS STRICTLY PROHIBITED.

SHEET 1 OF 1