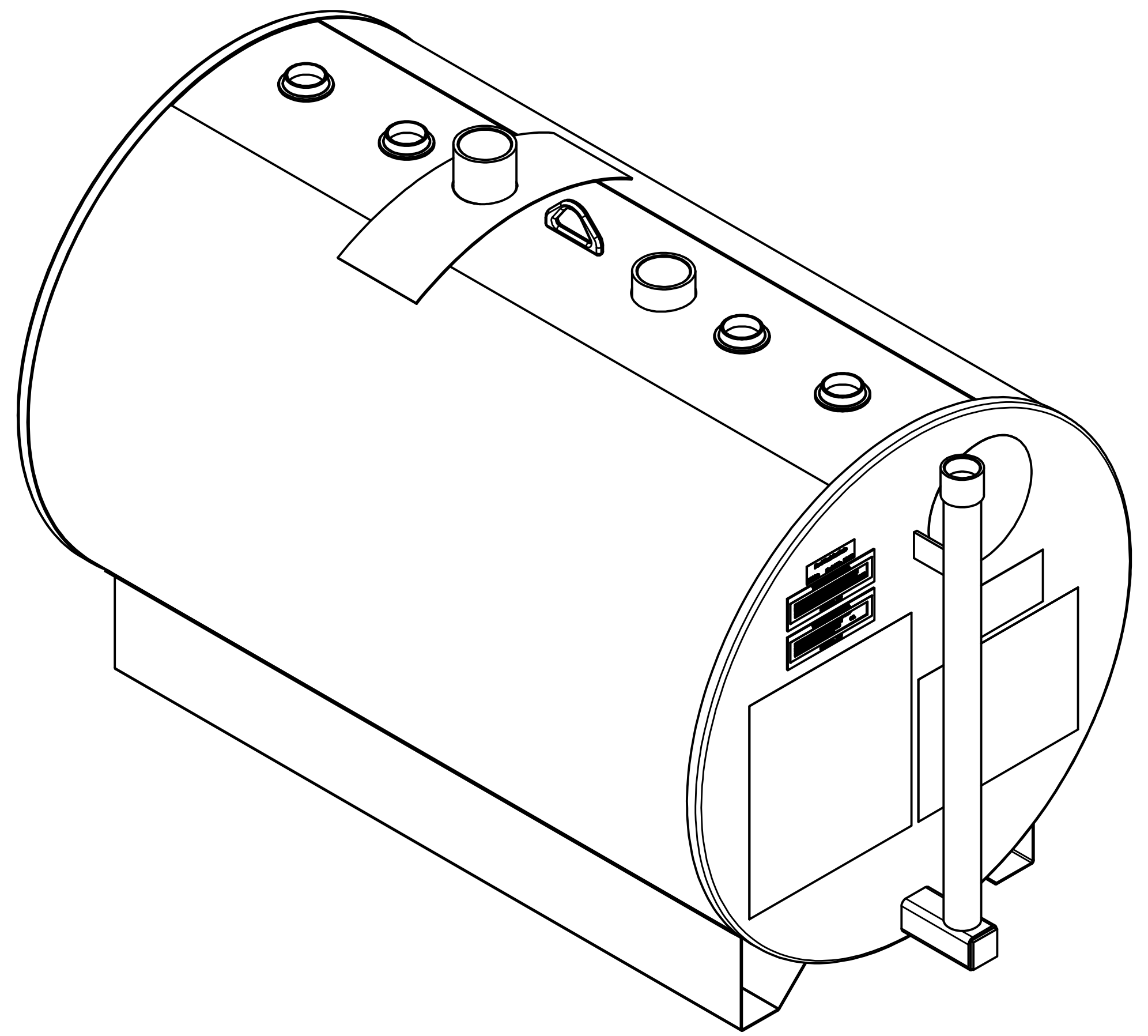
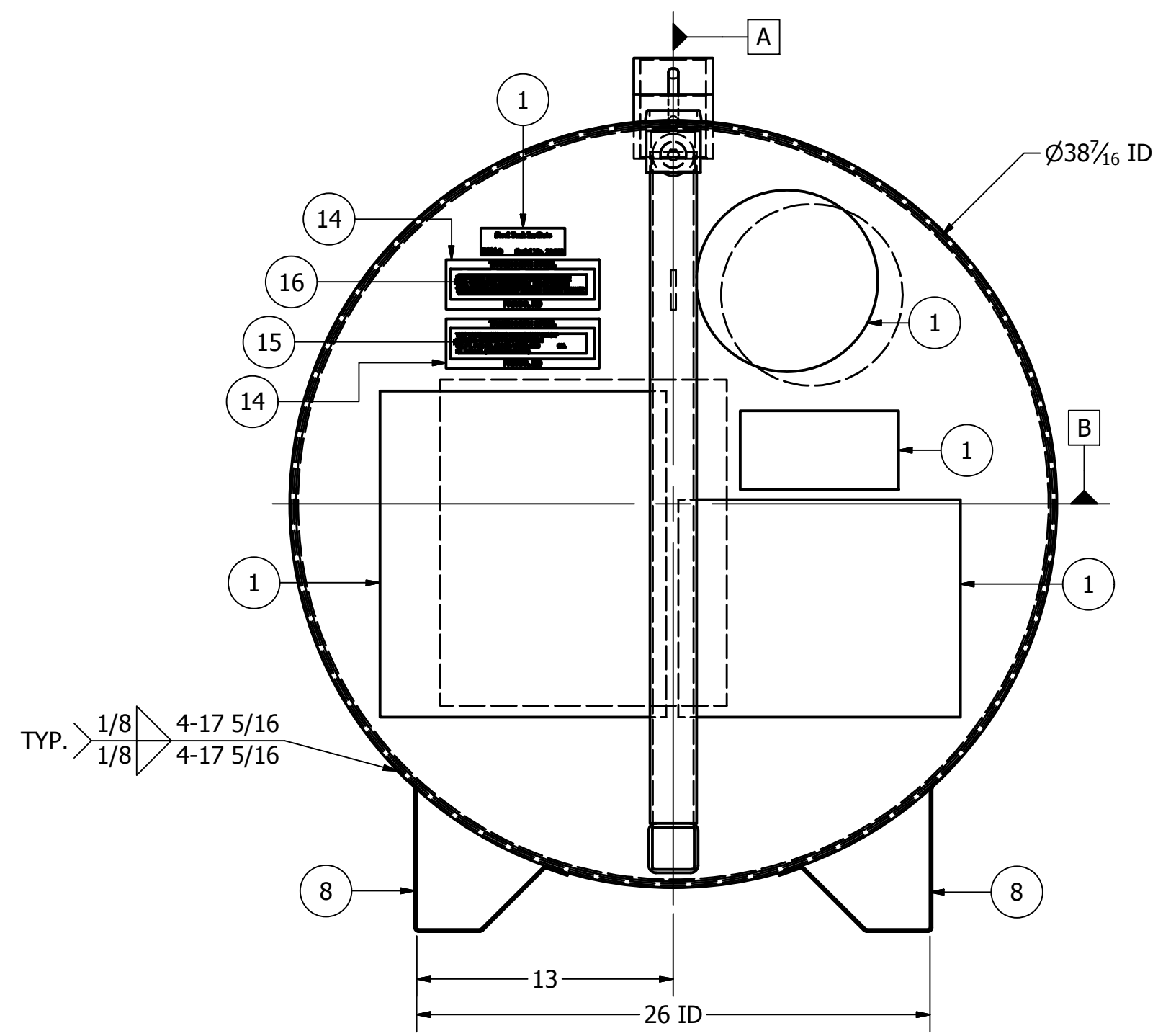
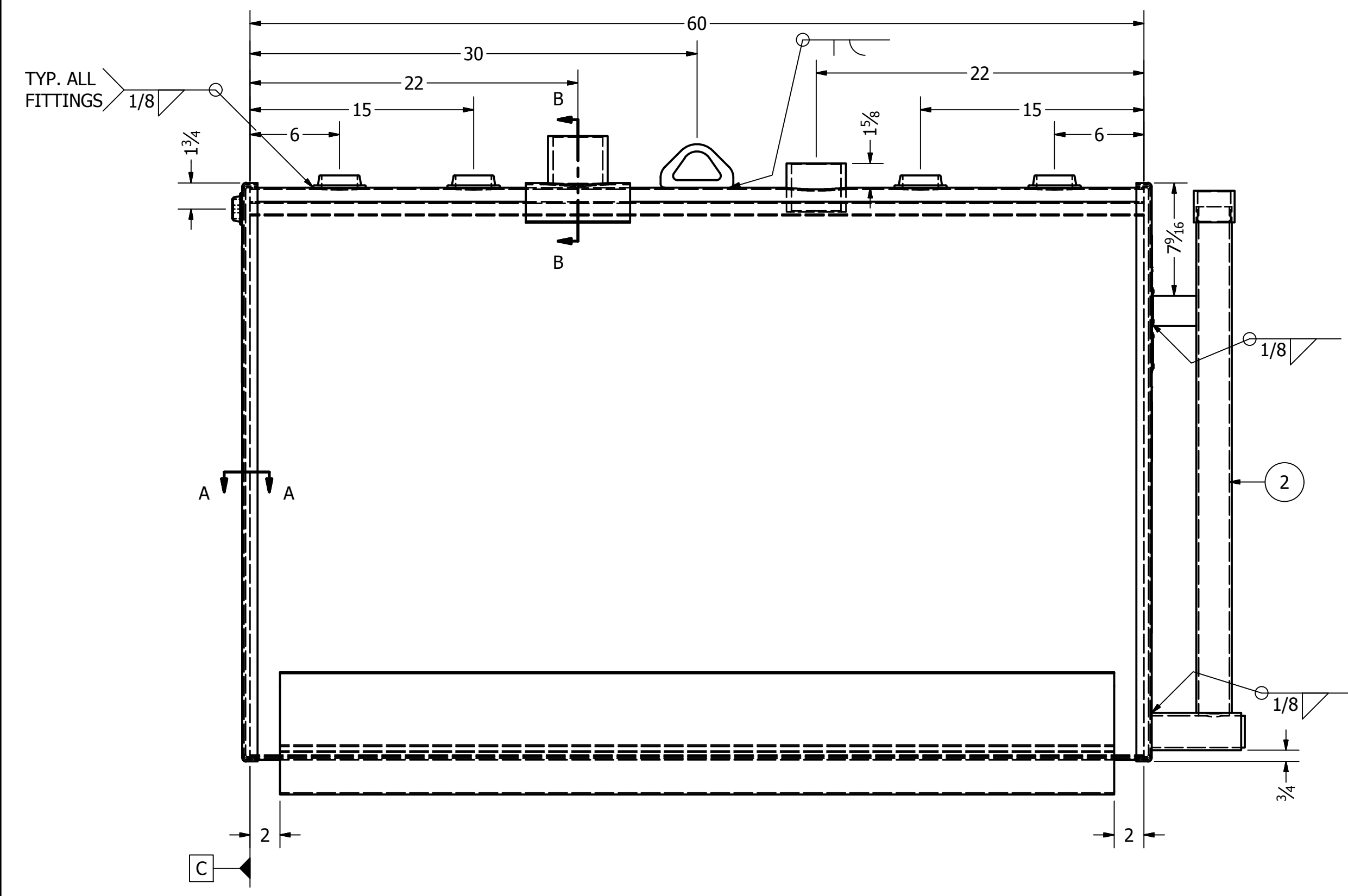
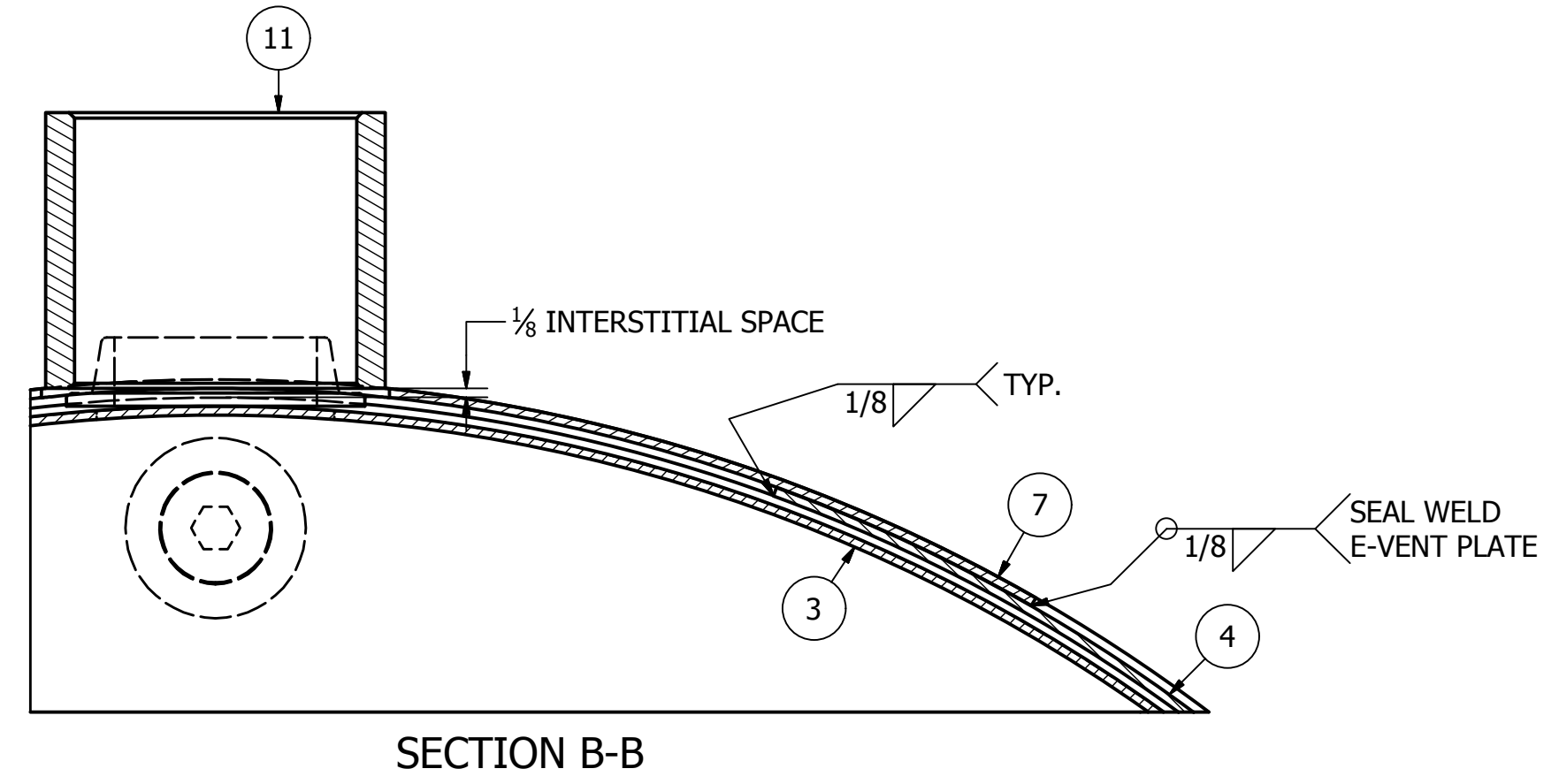
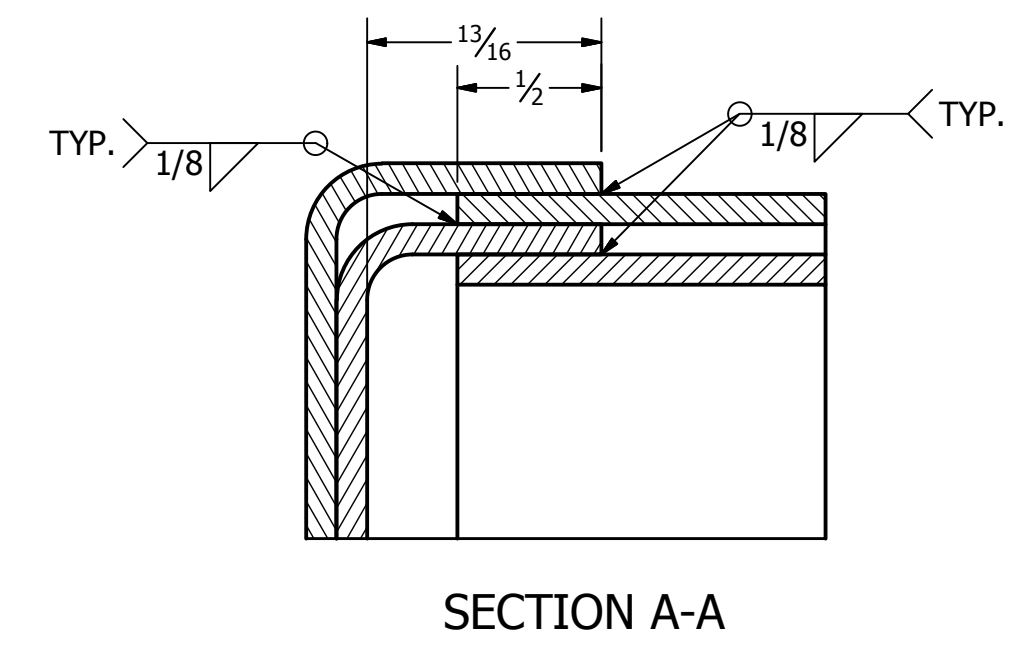
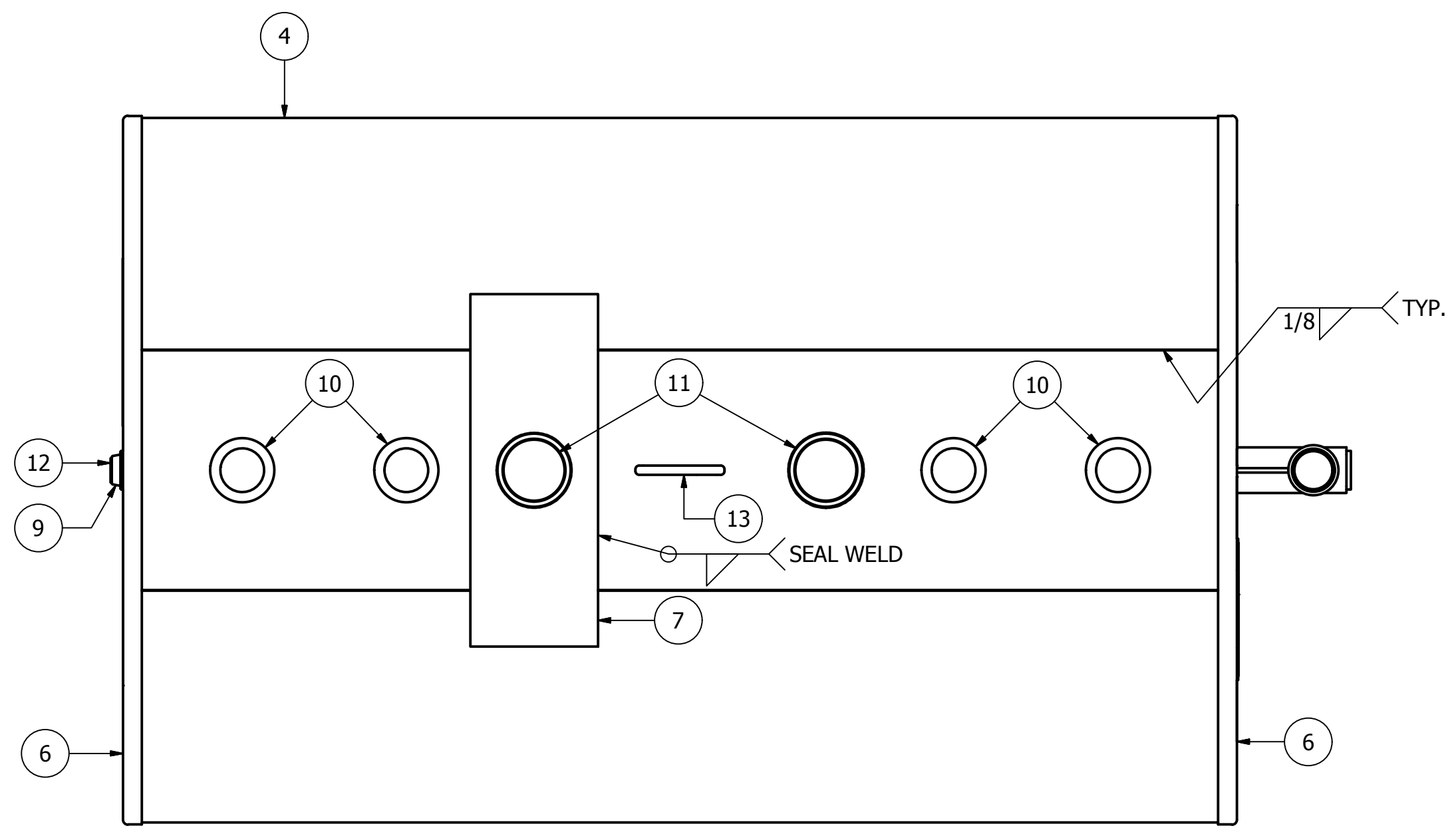


| PARTS LIST | | | | | |
|------------|-----------|-----|--|----------------|-------|
| ITEM | S/L ITEM# | QTY | DESCRIPTION | MASS | NOTES |
| 1 | TB000811 | 1 | Label Kit,F921 | 0.263 lbmass | |
| 2 | 2000-0137 | 1 | Monitor Pipe Assy,2.0,38 Horz Tank | 14.944 lbmass | |
| 3 | 3000-0674 | 1 | Shell,.105,38id,60,360d | 213.884 lbmass | |
| 4 | 3000-0675 | 1 | Shell,Wrap,.105,38.420id,60,320d | 192.214 lbmass | |
| 5 | 3000-0676 | 2 | Head,Circle,.105,38.208id,.813FIng | 37.464 lbmass | |
| 6 | 3000-0677 | 2 | Head,Circle,.105,38.630id,1.105FIng | 38.651 lbmass | |
| 7 | 3000-0680 | 1 | E-Vent Plate,.105,38id Tank,3 Hole | 4.205 lbmass | |
| 8 | 3000-0681 | 2 | Skid,38id,.105,56,26sp | 29.123 lbmass | |
| 9 | TB002015 | 1 | Weld Flange,Threaded,1, BLK | 0.190 lbmass | |
| 10 | TB002022 | 4 | Weld Flange,Threaded,2,BLK | 0.534 lbmass | |
| 11 | TB001225 | 2 | Coupling,Full,3.00,Merch,Thrd | 3.568 lbmass | |
| 12 | TB001391 | 1 | Plug,1.0,HexSckt,150#,Thrd | 0.255 lbmass | |
| 13 | TB000905 | 1 | Lift Lug,Small,6800# | 0.806 lbmass | |
| 14 | TB000817 | 2 | Holder,Brass Label | 0.275 lbmass | |
| 15 | TB000822 | 1 | Label,H,Tank Requires Emer. Relief | 0.047 lbmass | |
| 16 | TB000826 | 1 | Label,K,Vent Space Between Outer & Inner | 0.047 lbmass | |



- 1) FINISH:
EXTERIOR: PRIME GREY, WHITE PAINT W/FAST DRYING ENAMEL
INTERIOR: NO COATING
- 2) VENT CAPACITY:
TOTAL VENTING CAPACITY - 51,767.32(ft3/hr)
- 3) FITTING LOCATIONS:
DIMENSIONS ALONG TOP LONGITUDINAL CENTER LINE BASED OFF EDGE OF SHELL
- 4) BUILD & TESTING
THIS TANK SHALL BE BUILT & TESTED IN ACCORDANCE WITH STI-F921 STANDARD FOR ABOVE GROUND TANKS

| DATE | REV | DESCRIPTION | ECN NO. | BY |
|----------|-----|-------------|------------|---------|
| 4/8/2015 | 0 | RELEASED | E2015-0034 | DCLAUDE |
| 4/2/2015 | A | APPROVAL | | DCLAUDE |

| | | |
|---|--|---|
| <p>UNLESS OTHERWISE SPECIFIED: UNITS = INCHES TOLERANCE: LINEAR ±1/8" ANGULAR ±1/2"</p> | <p>4401 West Main Fargo, ND 58103 Phone: 701-282-2345 Fax: 701-282-5516 TrueNorthSteel.com</p> | <p>PART#: 1006-0016 DESCRIPTION: Tank,H,300,38x60,F921,Skid,320,0100 WEIGHT: 645.626 lbmass SCALE: DO NOT SCALE DRAWING</p> |
| | <p>DRAWN: DCLAUDE DATE: 4/2/2015 CHECKED: DATE:</p> | |